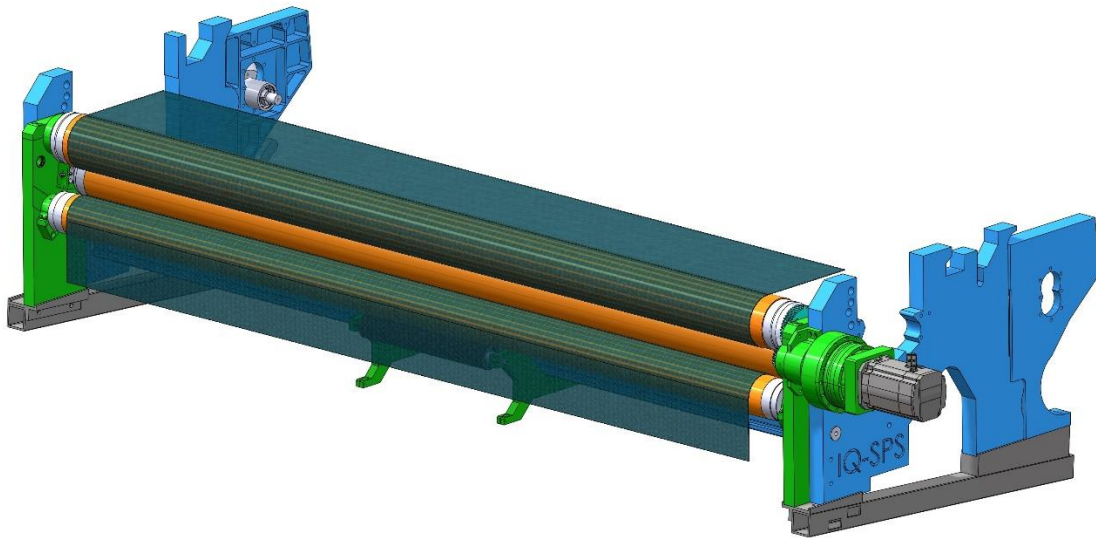


*Special take-up for heavy fabrics*



The take up is an elementary aggregate of a weaving machine. It is the first unit to make contact with the fabric produced.

The newly constructed take up developed by IQ-SPS GmbH was especially designed for heavy and heaviest fabrics and can be retrofitted to virtually every weaving machine.

The decisive advantage, in addition to the enormous robustness, is the compact design and the driven first roller. The extra short fabric support table ensures that the distance from the tissue formation to the first deflection is particularly short so that possible stretching of the fabric has no negative effect. Despite the compact design, very large roller diameters are used. This provides for an absolute straightness of yarn in the fabric, a shifting of the weft yarn is reduced to a minimum. A bending of the driven rollers is prevented by support rollers. The so-called recoil of the fell at the beat-up is significantly reduced by this construction.

The whole system is mounted on special additional frames. This means that the existing frames are not subjected to additional loads.

Should you need a more stable take up in your area of application, do not hesitate to contact IQ-SPS GmbH.